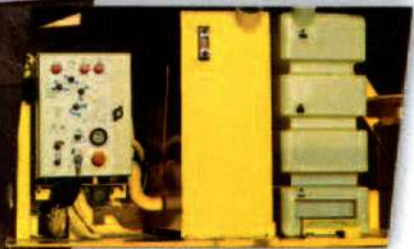


H 23 TPX H 25 TPX



- +70° / -70° fly jib.
- Standard 4 wheel drive.
- 507 lb (230 kg) platform capacity.
- 1ft 1in (35 cm) ground clearance.

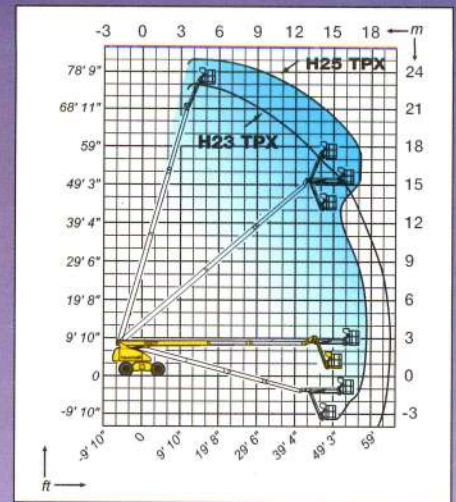
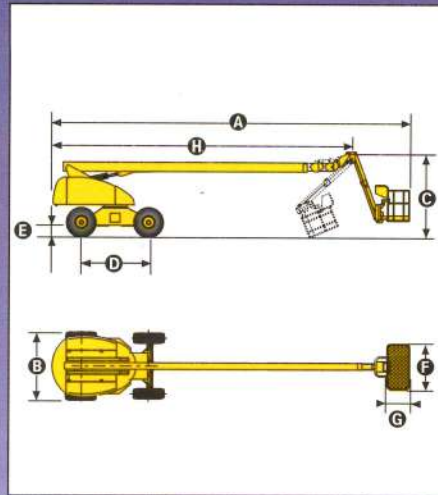


H23 TPX H25 TPX

Telescopic boom

The Haulotte® advantages

- Improved working area through a positive / negative articulating fly jib with 140° movement.
- Hydraulic differential lock and 1ft 1in (35 cm) ground clearance for improved rough terrain capability.
- Continuous 360° turntable rotation.
- 180° hydraulic platform rotation.
- Compact travel/transport dimensions.
- Full proportional controls and simultaneous boom functions improve productivity.
- Work platform overload limiter increases safety.
- Robust, reliable and easy to maintain design.



STANDARD FEATURES

- Silent pack Hatz Diesel engine
- 4 wheel drive
- 5° tilt alarm
- 24 V electrical control system
- 12 V - 95 Ah - battery
- Free wheeling device
- Electric emergency lowering system
- Safe use in winds up to 28 mph / 45 km/h
- Hourmeter
- Turret slewing lock rod
- Towing hooks / lifting eyes
- 2 hooks for safety harness in platform

OPTIONS & ACCESSORIES

- Large platform H23TPX (2.3 m x 0.8 m / 91 in X 32 in)
- 220V / 16A power line to platform
- Rotating beacon
- Flashing light
- Travel alarm
- Catalytic exhaust
- Encoded starting device
- On-board generator 3,3 kW
- Hot countries kit
- H23TPX : 250 kg (551 lb) of capacity with a wind up to 60 km/h (37 mph) (machine weight : 13,640 kg / 30,076 lb)

SPECIFICATIONS

| | H23TPX | H25TPX |
|---------------------------------|-------------------------------|-------------------------|
| Working height | 74 ft 2 in / 22.6 m | 83 ft 0 in / 25.3 m |
| Platform height | 67 ft 7 in / 20.6 m | 76 ft 5 in / 23.3 m |
| Horizontal outreach | 64 ft 1 in / 19.50 m | 55 ft 5 in / 16.9 m |
| Platform capacity | 507 lb / 230 kg | |
| Fly jib range of motion | 140° (-70°/+70°) | |
| Jib length | 7 ft 3 in / 2,2 m | 7 ft 3 in / 2,2 m |
| A Length | 34 ft 9 in / 10,6 m | 43 ft 0 in / 13.1 m |
| B Width | 2,47m / 8ft 1in | 8 ft 2 in / 2.48 m |
| C Stowed height | 9 ft 10 in / 3 m | 9 ft 10 in / 3 m |
| D Wheelbase | 8 ft 2 in / 2,49 m | 8 ft 2 in / 2.49 m |
| E Ground clearance | 13 in / 35 cm | 13 in / 35 cm |
| F x G Platform size | 71 in x 32 in / 1.8 m x 0.8 m | |
| H Travel/transport length | 26 ft 7 in / 8.1 m | 35 ft 5 in / 10.8 m |
| Tailswing | 42 in / 1.1 m | 42 in / 1.1 m |
| Drive speed | 0.9-3.1 mph / 1.5-5km/h | 0.9-3.1 mph / 1.5-5km/h |
| Outside turning radius | 20 ft 2 in / 6.15 m | 20 ft 2 in / 6.15m |
| Turntable rotation (continuous) | 360° | |
| Hydraulic platform rotation | 180° | |
| Gradeability | 40% | |
| Engine | Diesel Hatz 43.6 hp - 32.1 kW | |
| Controls | proportional | |
| Tyres (foram filled) | 15 R 22 | |
| Hydraulic tank | 40 gallons / 150 l | |
| Fuel tank | 40 gallons / 150 l | |
| Weight | 28.908 lb / 13.110 kg | 30.253 lb / 13.720 kg |

AS1418.10



Haulotte
GROUP